

# Technical Bulletin

Bulletin Number: 457 Revision Number: R-11

Release Date: December 8, 1992 Revision Date: February 28, 1996

**SUBJECT:** MISCELLANEOUS WORLDWIDE RETURNABLE BOTTLE SHIMMING IN WIDE STACK SERIES 90 VENDERS.

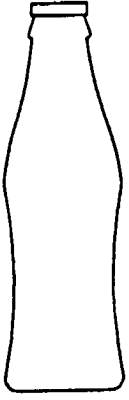
**MODELS AFFECTED:** All Wide Stack Series 90 Venders.

**REASON:** To provide the shimming and set-up of various returnable bottles used Worldwide.

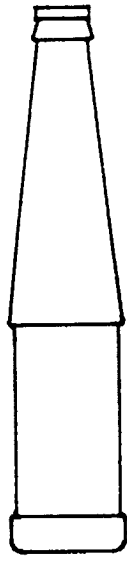
### BULLETIN INDEX

- A) Package Shape Illustrations ..... Page 2
- B) Package Dimensions ..... Page 3
- C) Part Illustrations ..... Pages 4 & 5
- D) Column Wall Kit Installation Instructions ..... Page 6
- E) Shimming and Set-Up Chart ..... Pages A1 & A2
- E) Individual Column Set-Up & Shimming ..... Pages B1 through B5

# Package Shapes



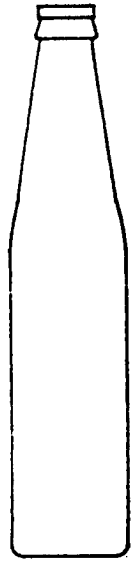
1



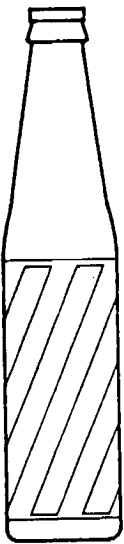
2



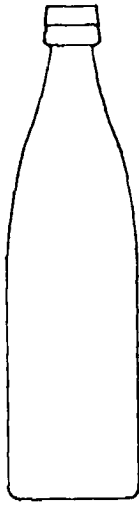
3



4



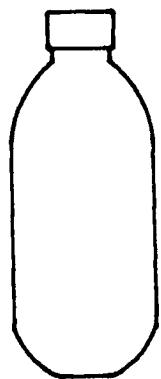
5



6



7

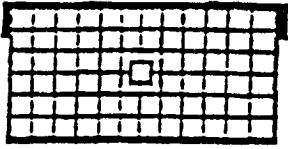


8

# Package Dimensions

| Description           | Package Size | Country/<br>Township | Shape | Height |         | Diameter |        |
|-----------------------|--------------|----------------------|-------|--------|---------|----------|--------|
|                       |              |                      |       | Inches | (mm)    | Inches   | (mm)   |
| Pepsi                 | 500 ml       | Australia            | 8     | 7.50"  | (190.5) | 2.905"   | (73.8) |
| Coca-Cola "Contour"   | 250 ml       | Denmark              | 1     | 8.72"  | (221.5) | 2.31"    | (58.7) |
| Fanta                 | 250 ml       | Denmark              | 2     | 8.69"  | (220.7) | 2.34"    | (59.4) |
| Pepsi "Swirl"         | 250 ml       | Denmark              | 5     | 8.71"  | (221.2) | 2.31"    | (58.7) |
| Sprite                | 250 ml       | Denmark              | 2     | 8.77"  | (222.7) | 2.33"    | (59.2) |
| Coca-Cola "Contour"   | 350 ml       | Finland              | 1     | 9.65"  | (245.1) | 2.57"    | (65.3) |
| Fanta                 | 350 ml       | Finland              | 2     | 9.54"  | (242.3) | 2.57"    | (65.3) |
| Sprite                | 350 ml       | Finland              | 7     | 9.54"  | (242.3) | 2.57"    | (65.3) |
| Water                 | 330 ml       | Finland              | 6     | 7.45"  | (189.2) | 2.53"    | (64.3) |
| Beer "New"            | 500 ml       | Germany              | 6     | 10.24" | (260.1) | 2.67"    | (67.8) |
| Brown Euro Beer       | 500 ml       | Germany              | 6     | 8.99"  | (228.3) | 2.74"    | (69.6) |
| Coca-Cola "Contour"   | 200 ml       | Germany              | 1     | 7.71"  | (195.8) | 2.33"    | (59.2) |
| Coca-Cola "Contour"   | 330 ml       | Germany              | 1     | 9.62"  | (244.3) | 2.48"    | (63)   |
| Coca-Cola "Contour"   | 500 ml       | Germany              | 1     | 11.10" | (281.9) | 2.71"    | (68.8) |
| Fanta                 | 330 ml       | Germany              | 7     | 9.54"  | (242.3) | 2.45"    | (62.2) |
| Fanta                 | 500 ml       | Germany              | 7     | 11.14" | (283)   | 2.71"    | (68.8) |
| Green Water           | .25 liter    | Germany              | 3     | 8.43"  | (214.1) | 2.22"    | (56.4) |
| Pepsi "Straight Wall" | 200 ml       | Germany              | 4     | 8.20"  | (208.3) | 2.24"    | (56.9) |
| Pepsi "Straight Wall" | 330 ml       | Germany              | 3     | 9.49"  | (241)   | 2.43"    | (61.7) |
| Pepsi "Swirl"         | 330 ml       | Germany              | 5     | 9.30"  | (236.2) | 2.42"    | (61.5) |
| Water                 | 700 ml       | Germany              | 7     | 11.45" | (290.8) | 3.10"    | (78.7) |
| Water                 | .75 liter    | Germany              | 7     | 11.45" | (290.8) | 3.05"    | (77.5) |
| Hapi                  | 300 ml       | Malta                | 4     | 9.49"  | (241)   | 2.41"    | (61.2) |
| Like                  | 300 ml       | Malta                | 6     | 9.47"  | (240.5) | 2.34"    | (59.4) |
| Coca-Cola "Contour"   | 500 ml       | Norway               | 1     | 11.10" | (281.9) | 2.71"    | (68.8) |
| Pepsi "Swirl"         | 500 ml       | Norway               | 7     | 11.14" | (283)   | 2.71"    | (68.8) |
|                       | 330 ml       | Slovakia             | 6     | 9.23"  | (234.4) | 2.34"    | (59.4) |
| Postobon              | 350 ml       | South America        | 6     | 9.74"  | (247.4) | 2.31"    | (58.7) |
| Coca-Cola "Contour"   | 250 ml       | Turkey               | 1     | 9.15"  | (232.4) | 2.30"    | (58.4) |

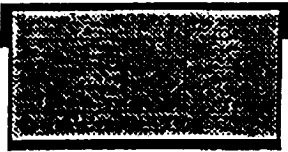
## Parts Illustrations



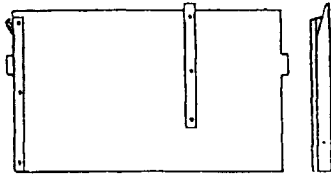
Black Shim  
801,804,960.21



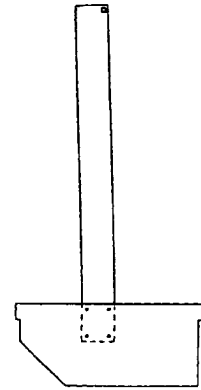
Bottle Neck Stop  
432,010,760.03



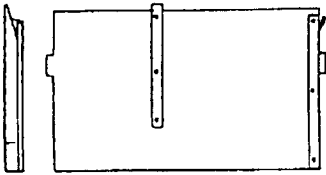
Grey Shim  
801,805,120.11



W/A Shim Left  
443,013,600.x3



W/A Bottle Neck Spacer Left (shown)  
512,010,500.03  
W/A Bottle Neck Spacer Right (not shown)  
512,010,600.03



W/A Shim Right  
443,013,700.x3

---

### Bottle Neck Stop Installation:

1. Place the bottle neck stop on the back side of the can/bottle chute support.
2. Align the holes in the chute support and the bottle neck stop.
3. Secure with two (2) pop rivets.
4. See figures 1 and 2 below.

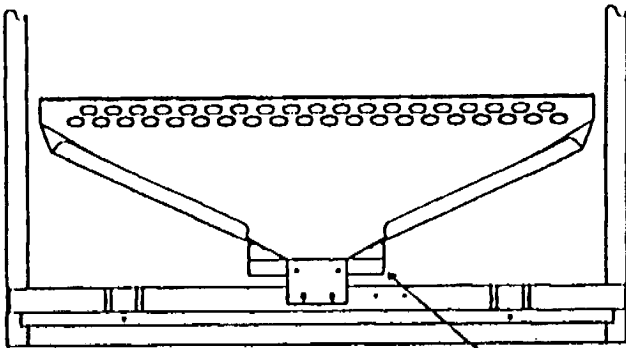


Figure 1

bottle neck stop

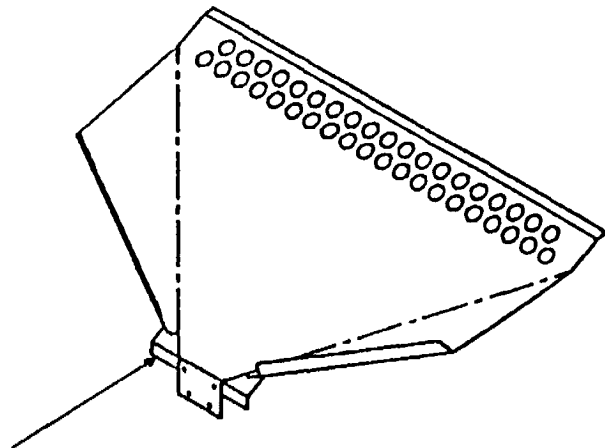
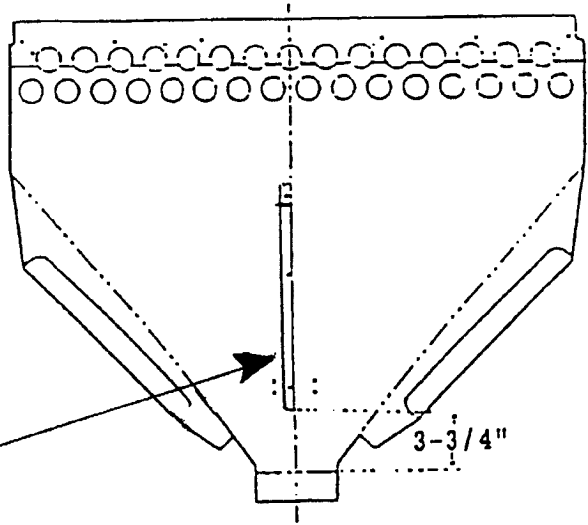


Figure 2

## Divider angle installation:



Position divider angle as shown on the can/bottle chute and secure with three (3) #8-32 X 3/8 screws.

Figure 3

## Extended Discharge member instructions:

1. Remove the nuts and bolts securing the discharge member to the delivery port.
2. Remove existing discharge member.
3. Install extended discharge member so holes B & D (see figure 4A or 4B) line up with the back holes in the delivery port (see figure 5).
4. Figure 5 shows what the set-up should now look like.
5. Secure with the nuts and bolts removed in step 1.

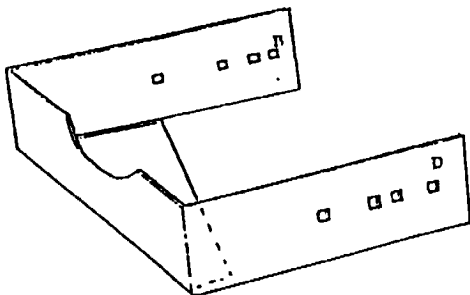


Figure 4A

Extended Discharge Member Narrow  
493,051,100.04

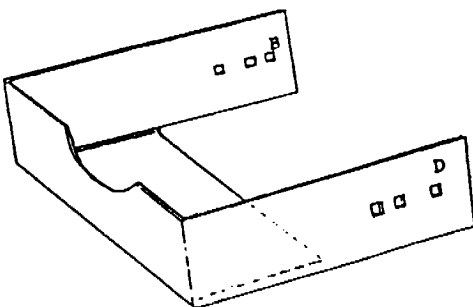


Figure 4B

Extended Discharge Member Wide  
491,051,700.04

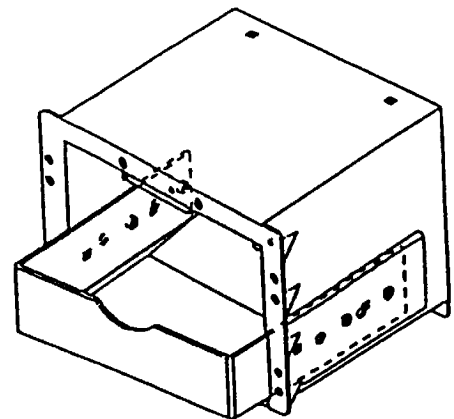


Figure 5

## INSTALLATION OF COLUMN WALL KIT:

### WIDE COLUMNS

1. Unplug the vender.
2. Move the rear spacers to the rear of each column.
3. Identify the right and left parts for proper placement.
- A. See Figures 6 and 7 below for identification.  
**Note: The dimension on a right side part from the bottom of the part to the first clip is 6-1/8" (155.6mm). The dimension on the left side part from the bottom of the part to the first clip is 8-1/8" (206.4mm). See figures 6 and 7 below.**
4. Take the right kit and locate the "clips" which are welded to the back side of the part.
5. Place the right kit in the column so the "clips" are towards the right column wall.
6. Align the "clips" with the existing slots in the right stack wall.  
**Note: There are two (2) upper and two (2) lower slots in each stack wall.**  
For the right kit use the lower slots at each location.
7. Push the wall in position to secure (clips in slots).
8. Install the left kit wall by repeating steps 4, 5, 6 and 7 using the upper slots at each location.
9. Set the rear spacer in the proper position.
10. Set the cams in the proper position.
11. Load the product and test for proper vending.

Wide  
Left Column Wall

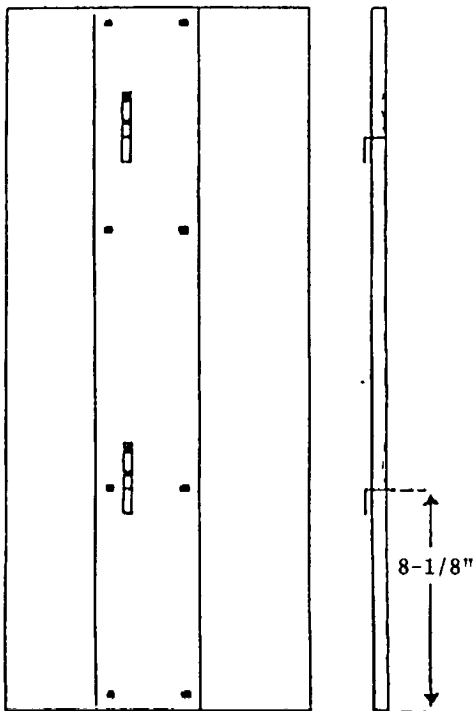


Figure 6

Wide  
Right Column Wall

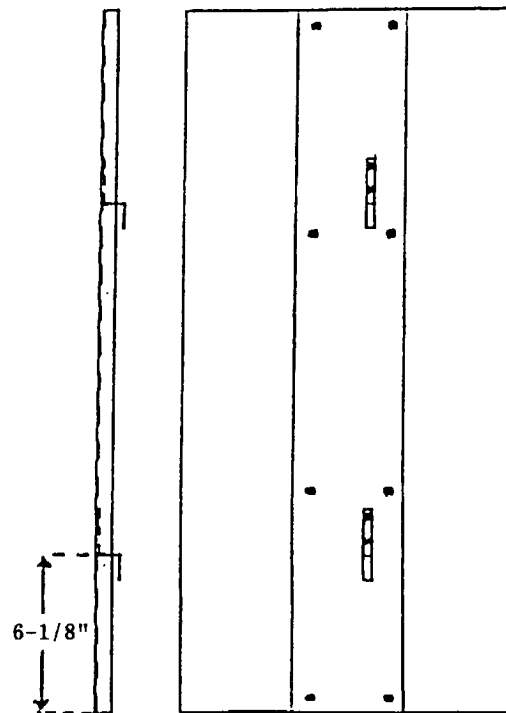


Figure 7

Use This Chart To "Set-Up" and "Shim" the "Wide Stack" Vender.

Series 90, Beginning S/N 0001-3162AO & Up (Except Run Numbers 3164AO, 3166AO and 3167AO).

Pre-Series 90, Beginning S/N 0001-3098AN to 0001-3162AO (Except 1954-3161AO to 2003-3161AO & 2656-3161AO to 2750-3161AO)

(Includes production runs 3164AO, 3166AO and 3167AO)

## RETURNABLE GLASS BOTTLES

| Wide Columns                                                      |                  |                  |   |   |                                                         |           |           | All Columns |                                                   |
|-------------------------------------------------------------------|------------------|------------------|---|---|---------------------------------------------------------|-----------|-----------|-------------|---------------------------------------------------|
| 500 ml Pepsi Returnable Bottle in Model 360WS                     | 2, 3, & B1       | Australia        | 1 | 0 | 0                                                       | 2 notches | blue/gold | Hole 12     | none                                              |
| 250 ml Coca-Cola, Fanta & Sprite Returnable Bottle in Model 360WS | 2, 3, 6, & B1    | Denmark          | 1 | 0 | w/a right & left column wall                            | 2 notches | blue/gold | Hole 16     | none                                              |
| 250 ml Pepsi "Swirl" Returnable Bottle in Model 360WS             | 2, 3, 6, & B1    | Denmark          | 1 | 0 | w/a right & left column wall                            | 2 notches | blue/gold | Hole 16     | none                                              |
| 350 ml Coca Cola Returnable Bottle in WS Models                   | 2, 3, 4, 5, & B1 | Finland          | 1 | 0 | w/a right & left shim & 6 black shims                   | 2 notches | blue/gold | Hole 18     | divider angle                                     |
| 350 ml Fanta Returnable Bottle in WS Models                       | 2, 3, 4, & B1    | Finland          | 1 | 0 | 6 grey shims, w/a left & right shim                     | 2 notches | blue/gold | Hole 18     | none                                              |
| 350 ml Sprite Returnable Bottle in WS Models                      | 2, 3, 4, & B1    | Finland          | 1 | 0 | 2 grey shims, 4 black shims, w/a left & right shim      | 2 notches | blue/gold | Hole 18     | none                                              |
| 330 ml Glass Water Returnable Bottle in Model 360WS               | 2, 3, 4, & B2    | Finland          | 1 | 0 | 8 black shims & 2 grey shims                            | 2 notches | blue/gold | Hole 13     | none                                              |
| 500 ml "New Design" Beer Returnable Bottle in WS Models           | 2, 3, 4, 5 & B2  | Germany          | 1 | 0 | 1 oscillator, w/a right & left shim, 2 flat black shims | 2 notches | blue/gold | Hole 20     | discharge member                                  |
| 500 ml Brown Euro Beer Returnable Bottle WS Models                | 2, 3, 4, 5, & B2 | Germany          | 1 | 0 | 4 flat black shims, 1 oscillator                        | 2 notches | blue/gold | Hole 17     | discharge member                                  |
| 200 ml Coca Cola Returnable Bottle in WS Models                   | 2, 3, 6, & B2    | Germany          | 1 | 0 | w/a right & left column wall                            | 2 notches | blue/gold | Hole 14     | none                                              |
| 330 ml Coca-Cola Returnable Bottle in WS Models                   | 2, 3, 6, & B3    | Germany          | 1 | 0 | w/a right & left column wall                            | 2 notches | blue/gold | Hole 18     | none                                              |
| 500 ml Coca-Cola & Fanta Returnable Bottle in WS Models           | 2, 3, 4, 5, & B3 | Norway & Germany | 1 | 0 | 1 oscillator, w/a right & left shim, 2 flat black shims | 2 notches | blue/gold | Hole 22     | divider angle, bottle neck stop, discharge member |

Use This Chart To "Set-Up" and "Shim" the "Wide Stack" Vender.

Series 90, Beginning S/N 0001-3162AO & Up (Except Run Numbers 3164AO, 3166AO and 3167AO).

Pre-Series 90, Beginning S/N 0001-3098AN to 0001-3162AO (Except 1954-3161AO to 2003-3161AO & 2656-3161AO to 2750-3161AO)

(Includes production runs 3164AO, 3166AO and 3167AO)

## RETURNABLE GLASS BOTTLES

| Wide Columns                                                      |                     |                   |                  |                  |                                                                              |                |               | All Columns |                                          |
|-------------------------------------------------------------------|---------------------|-------------------|------------------|------------------|------------------------------------------------------------------------------|----------------|---------------|-------------|------------------------------------------|
| DESCRIPTION<br>(REVISED)                                          | SEE<br>PAGE(S)      | COUNTRY<br>ORIGIN | LOADING<br>DEPTH | CAN<br>RETAINERS | PARTS PER<br>COLUMN                                                          | CAN<br>SETTING | CAN/D<br>REID |             |                                          |
| 330 ml Fanta<br>Returnable Bottle<br>in WS Models                 | 2, 3, 4, 6,<br>& B3 | Germany           | 1                | 0                | w/a right &<br>left column<br>wall &<br>4 grey shims                         | 2 notches      | blue/gold     | Hole 18     | none                                     |
| .25 L Glass<br>Returnable Green Bottle<br>Water in WS Models      | 2, 3, 4, 6,<br>& B3 | Germany           | 1                | 0                | w/a right &<br>left column<br>wall &<br>8 grey shims                         | 2 notches      | blue/gold     | Hole 16     | none                                     |
| 200 ml Pepsi "Straight Wall"<br>Returnable Bottle<br>in WS Models | 2, 3, 6,<br>& B4    | Germany           | 1                | 0                | w/a right &<br>left column<br>wall                                           | 2 notches      | blue/gold     | Hole 15     | none                                     |
| 330 ml Pepsi "Straight<br>Wall" Returnable Bottle<br>in WS Models | 2, 3, 4, 6,<br>& B4 | Germany           | 1                | 0                | 4 grey shims,<br>w/a right &<br>left column<br>wall                          | 2 notches      | blue/gold     | Hole 17     | none                                     |
| 330 ml Pepsi "Swirl"<br>Returnable Bottle<br>in WS Models         | 2, 3, 6,<br>& B4    | Germany           | 1                | 0                | w/a right &<br>left column<br>wall                                           | 2 notches      | blue/gold     | Hole 18     | none                                     |
| 700 ml Ret. Water Bottle<br>in model 360WS                        | 2, 3, 4, 5,<br>& B4 | Germany           | 1                | 0                | right & left<br>bottle neck<br>spacer,<br>oscillator, and<br>sold-out paddle | 2 notches      | blue/gold     | Hole 23     | discharge<br>member,<br>divider<br>angle |
| .75 L Ret. Water Bottle<br>in Model 360WS                         | 2, 3, 4, 5,<br>& B5 | Germany           | 1                | 0                | oscillator,<br>sold-out paddle,<br>w/a right & left<br>shim                  | 2 notches      | blue/gold     | Hole 23     | discharge<br>member,<br>divider<br>angle |
| 300 ml Like & Hapi<br>Returnable Bottle<br>in Model 360WS         | 2, 3, 6,<br>& B5    | Malta             | 1                | 0                | w/a right &<br>left column<br>wall                                           | 2 notches      | blue/gold     | Hole 18     | none                                     |
| 330 ml Pepsi<br>Returnable Bottle<br>in Model 360WS               | 2, 3, 6,<br>& B5    | Slovakia          | 1                | 0                | w/a right &<br>left column<br>wall                                           | 2 notches      | blue/gold     | Hole 17     | none                                     |
| 350 ml Postobon<br>Returnable Bottle<br>in Model 360WS            | 2, 3, 6,<br>& B5    | South<br>America  | 1                | 0                | w/a right &<br>left column<br>wall                                           | 2 notches      | blue/gold     | Hole 18     | none                                     |
| 250 ml Coca Cola<br>Returnable Bottle<br>in Model 360WS           | 2, 3, 4, 6<br>& B5  | Turkey            | 1                | 0                | w/a right &<br>left column<br>wall &<br>2 grey shims                         | 2 notches      | blue/gold     | Hole 18     | none                                     |



## INDIVIDUAL COLUMN SET-UP & SHIMMING

### 500 ml PEPSI RETURNABLE BOTTLE (AUSTRALIA) (In model 360WS)

Wide Column Set-Up 1 deep

- 1 - 801,806,390.41 vending cam, blue
- 1 - 801,806,400.11 adjustable cam, gold

No shims required.

Cam setting #1 or 2 notches.

Rear spacer set in hole #12.

SET DISCHARGE MEMBER AND CLOSURE STRIP FOR BOTTLES.

### 250 ml COCA-COLA, FANTA and SPRITE RETURNABLE BOTTLE (DENMARK) (In model 360WS)

### 250 ml PEPSI "SWIRL" RETURNABLE BOTTLE (DENMARK) (In model 360WS)

Wide Column Set-Up 1 deep

- 1 - 443,011,700.63 360WS w/a wall left
- 1 - 443,011,800.63 360WS w/a wall right
- 1 - 801,806,390.41 vending cam, blue
- 1 - 801,806,400.11 adjustable cam, gold

Cam setting #1 or 2 notches.

Rear spacer set in hole #16.

SET DISCHARGE MEMBER & CLOSURE STRIP FOR BOTTLES.

### 350 ml COCA-COLA RETURNABLE BOTTLE (FINLAND) (In model 360WS)

Wide Column Set-Up 1 deep

- 1 - 443,013,600.43 w/a bottle shim left -2
- 1 - 443,013,700.43 w/a bottle shim right -2
- 6 - 801,804,960.21 flat black shim (3 each side behind w/a shim)
- 1 - 236,010,010.13 divider angle (1 per vender)
- 1 - 801,806,390.41 vending cam, blue
- 1 - 801,806,400.11 adjustable cam, gold

Cam setting #1 or 2 notches.

Rear spacer set in hole #18.

SET DISCHARGE MEMBER AND CLOSURE STRIP FOR BOTTLES.

### 350 ml GLASS RETURNABLE FANTA BOTTLE (FINLAND) (In all WS models)

Wide Column Set-Up 1 deep

- 1 - 443,010,600.43 w/a bottle shim left -2
- 1 - 443,010,700.43 w/a bottle shim right -2
- 6 - 801,805,120.11 flat grey shim (3 each side behind w/a shim)
- 1 - 801,806,390.41 vending cam, blue
- 1 - 801,806,400.11 adjustable cam, gold

Cam setting #1 or 2 notches.

Rear spacer set in hole #18.

SET DISCHARGE MEMBER AND CLOSURE STRIP.

### 350 ml GLASS RETURNABLE SPRITE BOTTLE (FINLAND) (In models 360WS and 432WS)

Wide Column Set-Up 1 deep

- 1 - 443,010,600.43 w/a bottle shim left -2
- 1 - 443,010,700.43 w/a bottle shim right -2
- 2 - 801,805,120.11 flat grey shim (1 each side behind w/a shim)
- 4 - 801,804,960.21 flat black shim (2 each side behind w/a shim)
- 1 - 801,806,390.41 vending cam, blue
- 1 - 801,806,400.11 adjustable cam, gold

Cam setting #1 or 2 notches.

Rear spacer set in hole #18.

SET DISCHARGE MEMBER AND CLOSURE STRIP FOR BOTTLES.

**330 ml GLASS RETURNABLE WATER BOTTLE (FINLAND) (In model 360WS)**

Wide Column Set-Up 1 deep

- 8 - 801,804,960.21 flat black shim (4 each side)
- 2 - 801,805,120.01 flat grey shim (1 each side)
- 1 - 801,806,390.41 vending cam, blue
- 1 - 801,806,400.11 adjustable cam, gold

Cam setting #1 or 2 notches.

Rear spacer set in hole #13.

SET DISCHARGE MEMBER AND CLOSURE STRIP FOR BOTTLES.

**500 ml "NEW DESIGN" BEER RETURNABLE BOTTLE (GERMANY) (In all WS models)**

Wide Column Set-up 1 deep

- 1 - 443,013,600.23 w/a bottle shim left -1
- 1 - 443,013,700.23 w/a bottle shim right -1
- 2 - 801,804,960.21 flat black shim (1 each side behind w/a shim)
- 1 - reference list extended discharge member
- 491,051,900.04 for Flat Full Length Sign & Display venders
- 491,051,700.04 for wide Coke Landscape, Pepsi Circular and Generic Circular venders
- 1 - 801,806,390.41 vending cam, blue
- 1 - 801,806,400.11 adjustable cam, gold
- 1 - 801,201,510.01 oscillator, 500 ml No Can Retainer

Cam setting #1 or 2 notches.

Rear spacer set in hole #20.

SET DISCHARGE MEMBER AND CLOSURE STRIP FOR BOTTLES.

**500 ml BROWN EURO BEER RETURNABLE BOTTLE (GERMANY) (In all WS models)**

Wide Column Set-Up 1 deep

- 4 - 801,804,960.21 flat black shims (2 each side)
- 1 - reference list extended discharge member
- 491,051,900.04 for Flat Full Length Sign & Display vender
- 491,051,700.04 for wide Coke Landscape, Pepsi Circular, & Generic Circular venders
- 1 - 801,806,390.41 vending cam, blue
- 1 - 801,806,400.11 adjustable cam, gold
- 1 - 801,201,510.01 oscillator, 500 ml No Can Retainer

Cam setting #1 or 2 notches.

Rear spacer set in hole #17.

SET DISCHARGE MEMBER AND CLOSURE STRIP FOR BOTTLES.

**200 ml COCA COLA RETURNABLE BOTTLE (GERMANY) (In all WS models)**

Wide Column Set-up 1 deep

- 1 - 443,013,400.03 432WS w/a wall left
- 1 - 443,013,500.03 432WS w/a wall right
- 1 - 493,010,300.03 360WS w/a wall left
- 1 - 493,010,200.03 360WS w/a wall right
- 1 - 801,806,390.41 vending cam, blue
- 1 - 801,806,400.11 adjustable cam, gold

Cam setting #1 or 2 notches.

Rear spacer set in hole #14.

SET DISCHARGE MEMBER AND CLOSURE STRIP FOR BOTTLES.

**330 ml COCA-COLA RETURNABLE BOTTLE (GERMANY) (In all WS models)**

Wide Column Set-Up 1 deep

|                    |                      |
|--------------------|----------------------|
| 1 - 443,012,000.23 | 360WS w/a wall right |
| 1 - 443,011,900.23 | 360WS w/a wall left  |
| 1 - 447,010,300.03 | 432WS w/a wall left  |
| 1 - 447,010,200.03 | 432WS w/a wall right |
| 1 - 801,806,390.41 | vending cam, blue    |
| 1 - 801,806,400.11 | adjustable cam, gold |

Cam setting #1 or 2 notches.

Rear spacer set in hole #18.

SET DISCHARGE MEMBER & CLOSURE STRIP FOR BOTTLES.

**500 ml COCA-COLA RETURNABLE BOTTLE (NORWAY) (In all WS models)**

**500 ml COCA-COLA RETURNABLE BOTTLE (GERMANY) (In all WS models)**

**500 ml FANTA RETURNABLE BOTTLE (GERMANY) (In all WS models)**

Wide Column Set-Up 1 deep

|                    |                                                             |
|--------------------|-------------------------------------------------------------|
| 2 - 801,804,960.21 | flat black shim (1 each side behind w/a shim)               |
| 1 - 443,013,600.23 | w/a bottle shim left -1                                     |
| 1 - 443,013,700.23 | w/a bottle shim right -1                                    |
| 1 - 236,010,010.13 | divider angle (1 per vender)                                |
| 1 - 432,010,760.03 | bottle neck stop (1 per vender)                             |
| 1 - reference list | extended discharge member (1 per vender)                    |
| 491,051,700.04     | for wide Coke Landscape, Pepsi Circular, & Generic Circular |
| 491,051,900.04     | for Full Length Sign & Display venders                      |
| 1 - 801,806,390.41 | vending cam, blue                                           |
| 1 - 801,806,400.11 | adjustable cam, gold                                        |
| 1 - 801,201,510.01 | oscillator, 500 ml No Can Retainer                          |

Cam setting #1 or 2 notches.

Rear spacer set in hole #22.

SET DISCHARGE MEMBER & CLOSURE STRIP FOR BOTTLES.

**330 ml FANTA RETURNABLE BOTTLE (GERMANY) (In all WS models)**

Wide Column Set-Up 1 deep

|                    |                      |
|--------------------|----------------------|
| 1 - 447,010,300.03 | 432WS w/a wall left  |
| 1 - 447,010,200.03 | 432WS w/a wall right |
| 1 - 443,011,900.23 | 360WS w/a wall left  |
| 1 - 443,012,000.23 | 360WS w/a wall right |
| 1 - 801,806,390.41 | vending cam, blue    |
| 1 - 801,806,400.11 | adjustable cam, gold |

Cam setting #1 or 2 notches.

Rear spacer set in hole #18.

SET DISCHARGE MEMBER AND CLOSURE STRIP FOR BOTTLES.

**.25 L GLASS RETURNABLE GREEN BOTTLE WATER (GERMANY) (In all WS models)**

Wide Column Set-up 1 deep

|                    |                                                 |
|--------------------|-------------------------------------------------|
| 1 - 443,012,400.13 | 360WS w/a wall left                             |
| 1 - 443,012,500.13 | 360WS w/a wall right                            |
| 1 - 447,010,100.03 | 432WS w/a wall left                             |
| 1 - 447,010,000.03 | 432WS w/a wall right                            |
| 8 - 801,805,120.11 | flat grey shim (4 each side behind column wall) |
| 1 - 801,806,390.41 | vending cam, blue                               |
| 1 - 801,806,400.11 | adjustable cam, gold                            |

Cam setting #1 or 2 notches.

Rear spacer set in hole #16.

SET DISCHARGE MEMBER AND CLOSURE STRIP FOR BOTTLES.

**200 ml PEPSI RETURNABLE "STRAIGHT WALL" BOTTLE (GERMANY) (In all WS models)**

Wide Column Set-Up 1 deep

|                    |                      |
|--------------------|----------------------|
| 1 - 443,012,800.03 | 432WS w/a wall left  |
| 1 - 443,012,900.03 | 432WS w/a wall right |
| 1 - 512,010,400.13 | 360WS w/a wall left  |
| 1 - 512,010,300.13 | 360WS w/a wall right |
| 1 - 801,806,390.41 | vending cam, blue    |
| 1 - 801,806,400.11 | adjustable cam, gold |

Cam setting #1 or 2 notches.

Rear spacer set in hole #15.

SET DISCHARGE MEMBER AND CLOSURE STRIP FOR BOTTLES.

**330 ml PEPSI-COLA RETURNABLE "STRAIGHT WALL" BOTTLE (GERMANY) (In all WS models)**

Wide Column Set-Up 1 deep

|                    |                                     |
|--------------------|-------------------------------------|
| 4 - 801,805,120.11 | grey shim (2 each side behind wall) |
| 1 - 290,010,100.03 | 360WS w/a wall left                 |
| 1 - 290,010,200.03 | 360WS w/a wall right                |
| 1 - 447,010,700.03 | 432WS w/a wall left                 |
| 1 - 447,010,600.03 | 432WS w/a wall right                |
| 1 - 801,806,390.41 | vending cam, blue                   |
| 1 - 801,806,400.11 | adjustable cam, gold                |

Install the 2 grey shims on each side of the column and then install the w/a walls using the instructions on page 6.

Cam setting #1 or 2 notches.

Rear spacer set in hole #17.

SET DISCHARGE MEMBER AND CLOSURE STRIP FOR BOTTLES.

**330 ml PEPSI "SWIRL" RETURNABLE BOTTLE (GERMANY) (In all WS models)**

Wide Column Set-Up 1 deep

|                    |                      |
|--------------------|----------------------|
| 1 - 443,012,500.13 | 360WS w/a wall right |
| 1 - 443,012,400.13 | 360WS w/a wall left  |
| 1 - 447,010,100.03 | 432WS w/a wall left  |
| 1 - 447,010,000.03 | 432WS w/a wall right |
| 1 - 801,806,390.41 | vending cam, blue    |
| 1 - 801,806,400.11 | adjustable cam, gold |

Cam setting #1 or 2 notches.

Rear spacer set in hole #18.

SET DISCHARGE MEMBER & CLOSURE STRIP FOR BOTTLES.

**700 ml RETURNABLE WATER BOTTLE (GERMANY) (In model 360WS)**

Wide Column Set-Up 1 deep

|                    |                                                                     |
|--------------------|---------------------------------------------------------------------|
| 1 - 512,010,500.03 | w/a bottle neck spacer, left (columns 1 through 5)                  |
| 1 - 512,010,700.03 | w/a bottle neck spacer, left (column 6 only)                        |
| 1 - 512,010,600.03 | w/a bottle neck spacer, right (columns 2 through 6)                 |
| 1 - 512,010,800.03 | w/a bottle neck spacer, right (column 1 only)                       |
| 1 - 801,806,390.41 | vending cam, blue                                                   |
| 1 - 801,806,400.11 | adjustable cam, gold                                                |
| 1 - 801,201,470.11 | oscillator, large product                                           |
| 1 - 432,070,270.03 | sold-out paddle, large product                                      |
| 1 - reference list | extended discharge member (1 per vender)                            |
| 491,051,700.04     | for wide Coke Landscape, Pepsi Circular, & Generic Circular venders |
| 491,051,900.04     | for Flat Full Length Sign & Display style venders                   |
| 1 - 236,010,010.13 | divider angle (1 per vender)                                        |

Cam setting #1 or 2 notches.

Rear spacer set in hole #23.

NOTE: Must use rear spacer built on run 6195 or after, or remove 1/4" from bottom of rear spacer.

SET DISCHARGE MEMBER AND CLOSURE STRIP FOR BOTTLES.

**.75 L RETURNABLE WATER BOTTLE (GERMANY) (In model 360WS)**

Wide Column Set-Up 1 deep

- |                    |                                                                         |
|--------------------|-------------------------------------------------------------------------|
| 1 - 443,013,600.23 | w/a bottle shim left -2                                                 |
| 1 - 443,013,700.23 | w/a bottle shim right -2                                                |
| 1 - 801,201,470.11 | Oscillator, Large Product                                               |
| 1 - 432,070,270.03 | Sold Out Paddle, Large Product                                          |
| 1 - 236,010,010.13 | Divider Angle (1 per vender)                                            |
| 1 - 801,806,390.41 | vending cam, blue                                                       |
| 1 - 801,806,400.11 | adjustable cam, gold                                                    |
| 1 - reference list | extended discharge member (1 per vender)                                |
| 491,051,700.04     | for all wide Coke Landscape, Pepsi Circular, & Generic Circular venders |
| 491,051,900.04     | for Full Length Sign & Display style venders                            |

Cam setting #1 or 2 notches.

Rear spacer set in hole #23.

Note: Must use rear spacer built on run 6195 or after, or remove 1/4" from bottom of rear spacer.

SET DISCHARGE MEMBER AND CLOSURE STRIP FOR BOTTLES.

**300 ml LIKE & HAPI RETURNABLE BOTTLE (MALTA) (In model 360WS)**

Wide Column Set-Up 1 deep

- |                    |                      |
|--------------------|----------------------|
| 1 - 443,012,400.13 | w/a wall left        |
| 1 - 443,012,500.13 | w/a wall right       |
| 1 - 801,806,390.41 | vending cam, blue    |
| 1 - 801,806,400.11 | adjustable cam, gold |

Cam setting #1 or 2 notches.

Rear spacer set in hole #18.

Remove can retainers (triangles) from oscillator.

SET DISCHARGE MEMBER AND CLOSURE STRIP FOR BOTTLES.

**330 ml PEPSI RETURNABLE BOTTLE (SLOVAKIA) (In model 360WS)**

Wide Column Set-Up 1 deep

- |                    |                      |
|--------------------|----------------------|
| 1 - 443,011,900.23 | w/a wall left        |
| 1 - 443,012,000.23 | w/a wall right       |
| 1 - 801,806,390.41 | vending cam, blue    |
| 1 - 801,806,400.11 | adjustable cam, gold |

Cam setting #1 or 2 notches.

Rear spacer set in hole #17.

SET DISCHARGE MEMBER AND CLOSURE STRIP FOR BOTTLES.

**350 ml POSTOBON RETURNABLE BOTTLE (SOUTH AMERICA) (In model 360WS)**

Wide Column Set-Up 1 deep

- |                    |                      |
|--------------------|----------------------|
| 1 - 443,012,400.13 | w/a wall left        |
| 1 - 443,012,500.13 | w/a wall right       |
| 1 - 801,806,390.41 | vending cam, blue    |
| 1 - 801,806,400.11 | adjustable cam, gold |

Cam setting #1 or 2 notches.

Rear spacer set in hole #18.

SET DISCHARGE MEMBER AND CLOSURE STRIP FOR BOTTLES.

**250 ml COCA-COLA RETURNABLE BOTTLE (TURKEY) (In model 360WS)**

Wide Column Set-Up 1 deep

- |                    |                                                 |
|--------------------|-------------------------------------------------|
| 1 - 443,012,500.13 | 360WS w/a wall right                            |
| 1 - 443,012,400.13 | 360WS w/a wall left                             |
| 2 - 801,805,120.11 | flat grey shim (1 each side behind column wall) |

Cam setting #1 or 2 notches.

Rear spacer set in hole # 18.

SET DISCHARGE MEMBER AND CLOSURE STRIP FOR BOTTLES.